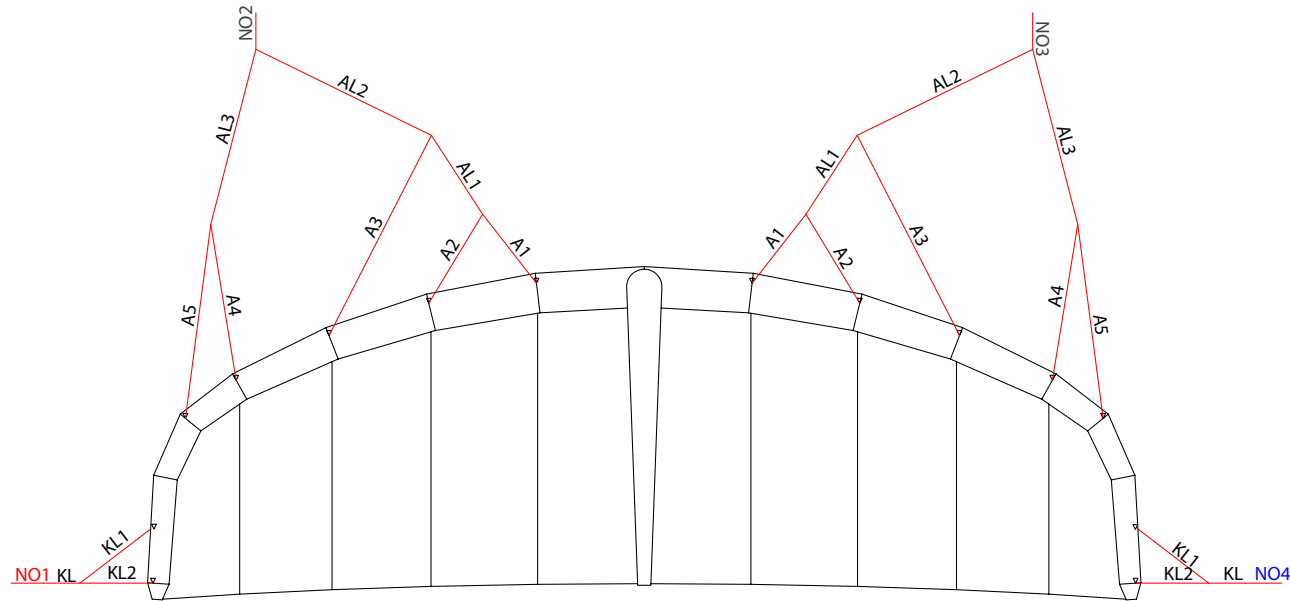


BRIDLE LINES SHOULD BE REGULARLY CHECKED AND MAINTAINED IN THE CORRECT TRIM OR THE KITE WILL NOT PERFORM AS DESIGNED. IF THEY ARE WORN OR NOT TO FACTORY SPECIFICATION (+ OR - 20MM) THEY SHOULD BE REPLACED. REPLACEMENTS CAN BE ORDERED INDIVIDUALLY OR AS A FULL SET FROM YOUR SHOP/DEALER.

1. Open the kite out in a large space.
2. Inspect all bridle lines for wear/damage. Take note or label lines to be replaced.
3. Use a tape measure to measure the remaining bridles. Ask a friend to hold the end of the tape measure and bridle line in position to get an accurate measurement.
4. Pull on the line to add some tension and note each measurement.
5. Refer to the bridle line measurements sheet and rigging diagrams. Take note or label lines to be replaced.
6. Replace all bridle lines as necessary.



BRIDLE LINE LENGTHS. ALL MEASUREMENTS IN MM

LINE	4m	6m	8m	10m	12m	14m	16m
A1	550	680	790	880	980	1065	1145
A2	370	454	530	590	660	720	780
A3	575	705	820	950	1040	1135	1200
A4	350	430	500	570	630	675	725
A5	280	340	400	430	470	515	550
AL1	470	575	670	780	850	925	990
AL2	480	590	690	750	850	920	985
AL3	425	520	610	680	750	810	870
K1	-	310	360	360	440	430	460
K2	-	300	350	350	430	420	445
KL	380	225	240	325	300	395	420

